

Create pdf

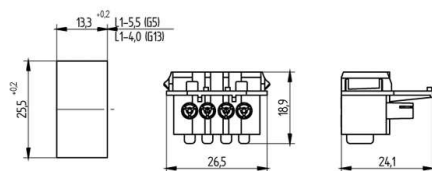
Lampholders and starter holders

26.921.-312

BJB Connector System



colour	pkg.	wt.	part no.
white	250	3 g	26.921.-312.50

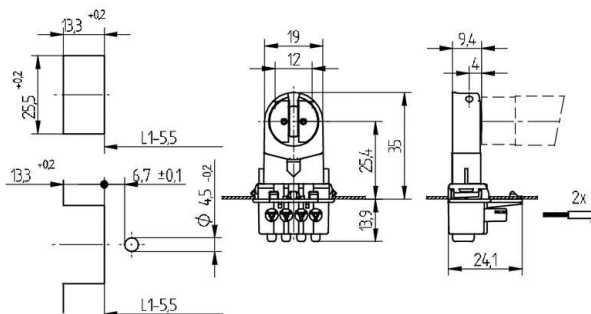


Adaptor for lampholders G5 and G13 in the BJB connector system

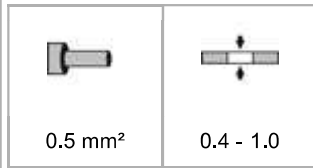
Housing: PC

- Without locating pin for enclosed cut-outs.

L1-4 / L1-5.5: Recommended dimension - the final distance should be governed by the dimensions of the respective lamps and luminaires.



Example of application with G5 lampholder 26.664.2001
 L1-4 / L1-5.5: Recommended dimension - the final distance should be governed by the dimensions of the respective lamps and luminaires.



Document generated on: Th, 9. February 2017 - 12:00